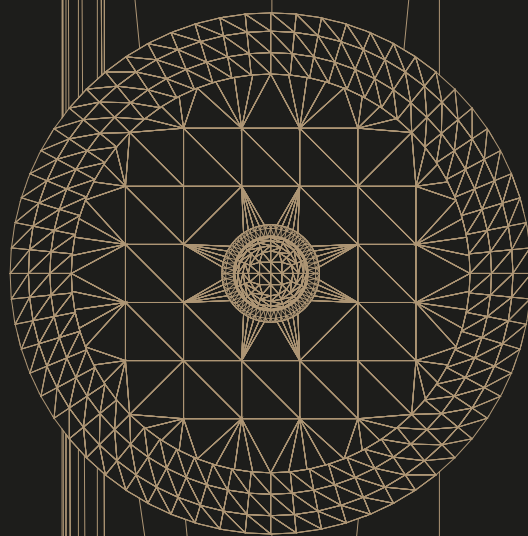
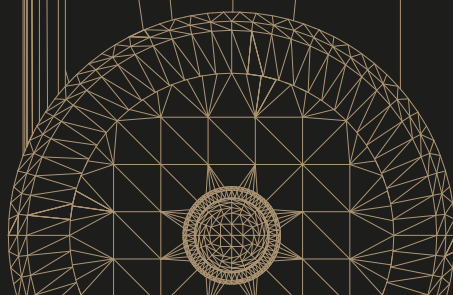


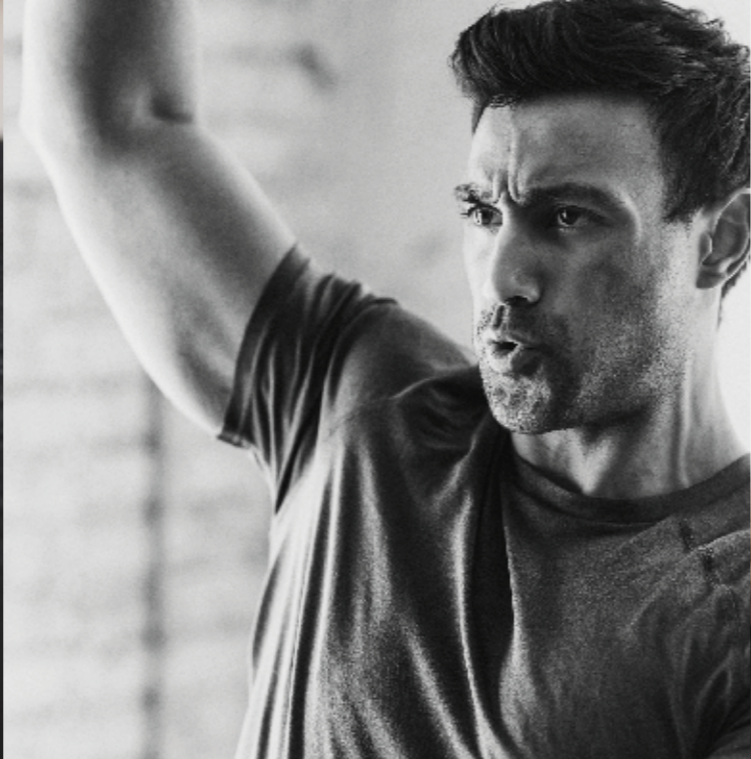
PENT.

LUXURY FITNESS EQUIPMENT



WWW.PENTFITNESS.COM





*PENT.
is not just
a fitness equipment,
but also a beautiful
piece of furniture.*

LUXURY FITNESS EQUIPMENT PRODUCTS
UNIQUE AND TIMELESS.

OUR DESIGN TEAM IS EXPERIENCED AND TALENTED
STAFF AND THEIR WORK IN CONJUNCTION WITH
HIGH QUALITY MATERIALS SUPPLIED BY RENOWNED
MANUFACTURERS AND THE USE OF MODERN
MACHINES, MAKES PENT.®

PENT. HAS EVERYTHING AN EXCLUSIVE HOME AND A
PERSONAL STUDIO SHOULD HAVE - PERFECT ANGLE,
CURVE AND EXCLUSIVE STAINLESS STEEL FINISH. THE
OILED WALNUT PROVIDES A FIRM GRIP AND IS VERY
HYGIENIC, WITH NO HARMFUL SUBSTANCES BEING
PASSED ON TO THE USER WHEN THEY PERSPIRE.

PENT. LUXURY ACCESSORIES ARE DEDICATED TO
INDIVIDUAL USE IN A PRIVATE HOME GYM AND
TRAINERS IN A PERSONAL FITNESS STUDIO BUT YOU
CAN ALSO USE THEM TO GREAT EFFECT IN LUXURY
SPA AND A HOTEL GYM AS WELL.

ALL THE ELEMENTS COMPLEMENT ONE ANOTHER
TO MAKE A UNIQUE SET ADDRESSED TO THE MOST
DEMANDING CUSTOMER.



COLMIA™
DUMBBELLS

*A whole new look
on a whole new level.*



COLMIA™

LUXURY DUMBBELLS SET

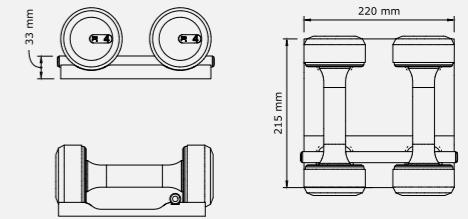
*A manually crafted set made of the highest quality materials.
 In the production, natural wood such as American walnut is used along with the highest grade stainless steel.
 A stable construction, strong attention to detail and the heart poured into the hand-work made COLMIA™ dumbbells delightfully presentable. COLMIA™ is perfect, as a part of a modern home or a hotel gym.*

Dumbbells are available in sets (horizontal or vertical) and as individual pairs (with or without a wooden stand). American oiled walnut wood provides a good grip and gives pleasure to touch. This type of wood exhibits antibacterial properties and, in combination with stainless steel creates a harmonious system of health and nature. This is very important when using these luxurious accessories in special conditions. COLMIA™ is dedicated for the private use as well as for personal trainers and gyms.



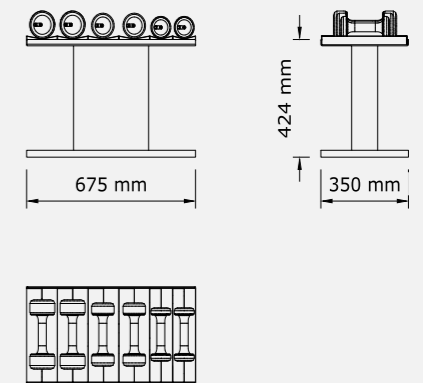
DUMBBELLS™ stand

Place your dumbbells on a solid wooden stand. Individual dumbbells are available in different weights (size depends on the weight).



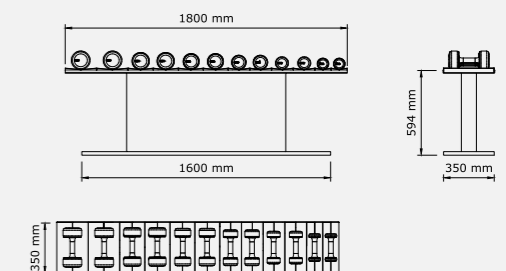
COLMIA™ Ultra Light

A set consisting of a horizontal stand and dumbbells weighing:
 2 kg x 2 | 4 kg x 2 | 6 kg x 2



COLMIA™ Light

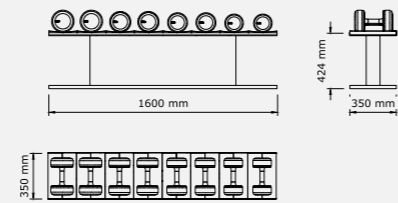
A set consisting of a horizontal stand and dumbbells weighing:
 2 kg x 2 | 4 kg x 2 |
 6 kg x 2 | 8 kg x 2 |
 10 kg x 2 | 12 kg x 2





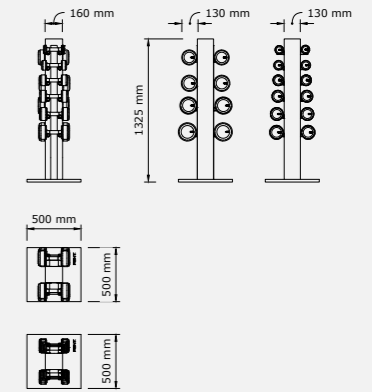
COLMIA™ Power

A set consisting of a horizontal stand and dumbbells weighing:
 14 kg x 2 | 16 kg x 2 |
 18 kg x 2 | 20 kg x 2



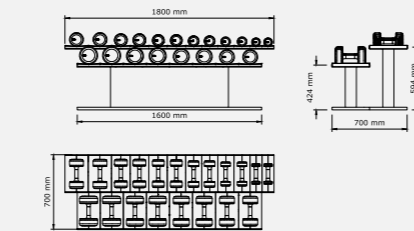
COLMIA™ VERTICAL Set

A set consisting of two vertical stands and dumbbells weighing:
 2 kg x 2 | 4 kg x 2 |
 6 kg x 2 | 8 kg x 2 |
 10 kg x 2 | 12 kg x 2 |
 14 kg x 2 | 16 kg x 2 |
 18 kg x 2 | 20 kg x 2



COLMIA™ Set

A set consisting of two horizontal stands and dumbbells weighing:
 2 kg x 2 | 4 kg x 2 |
 6 kg x 2 | 8 kg x 2 |
 10 kg x 2 | 12 kg x 2 |
 14 kg x 2 | 16 kg x 2 |
 18 kg x 2 | 20 kg x 2

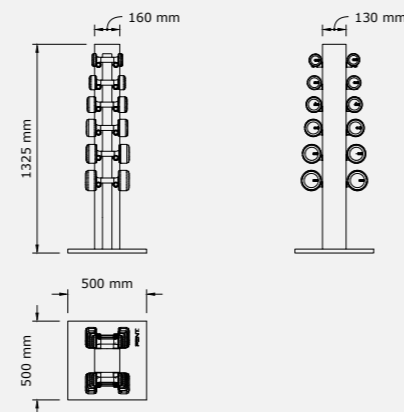


ATTENTION TO EVERY DETAIL



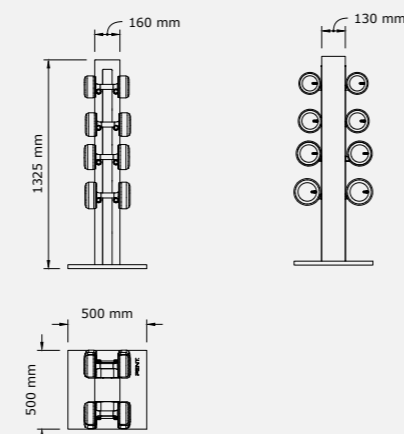
COLMIA VERTICAL™ Light

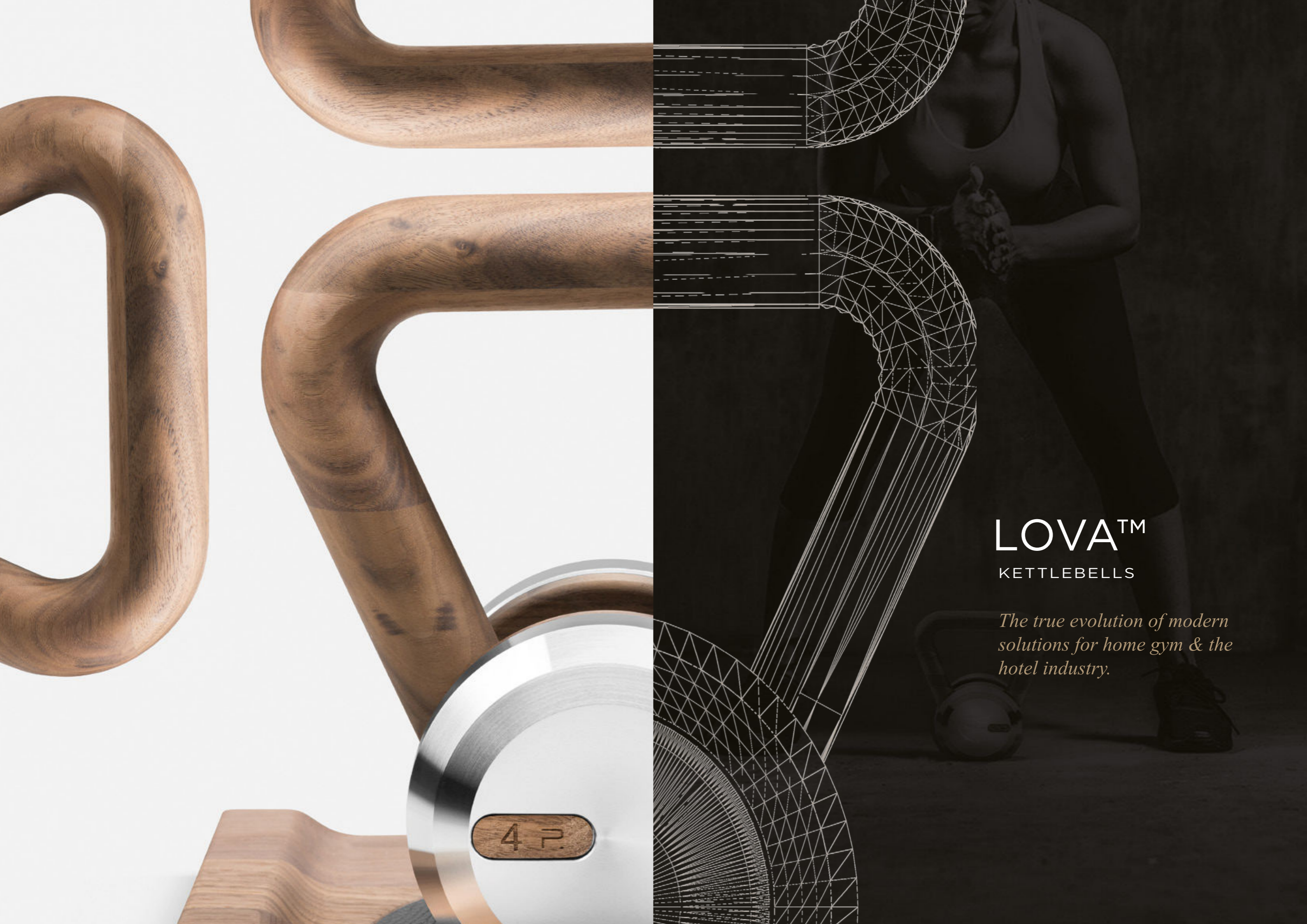
A set consisting of a vertical stand and dumbbells weighing:
 2 kg x 2 | 4 kg x 2 |
 6 kg x 2 | 8 kg x 2 |
 10 kg x 2 | 12 kg x 2



COLMIA VERTICAL™ Power

A set consisting of a vertical stand and dumbbells weighing:
 14 kg x 2 | 16 kg x 2 |
 18 kg x 2 | 20 kg x 2





LOVA™
KETTLEBELLS

The true evolution of modern solutions for home gym & the hotel industry.



LOVA™

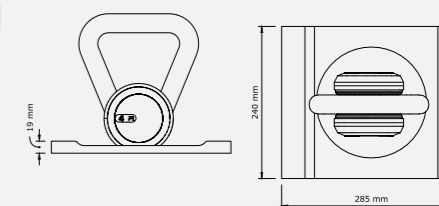
LUXURY KETTLEBELLS

A handmade set from natural American walnut wood and stainless steel. Just like other PENT. products, also here many hours of design work and craftsmanship have created something special in terms of form and practical use. The stable, simple stand, along with unusual form of kettlebells, create something unique which will certainly raise the prestige of the place. Each element is handmade with attention given to every detail. LOVA™ set comes in different versions. Kettlebells are available in sets (horizontal or vertical) and as individual pieces (with or without a wooden stand).

American oiled walnut wood provides a good grip and gives pleasure to touch. This type of wood exhibits antibacterial properties and, in combination with stainless steel creates a harmonious system of health and nature. This is very important when using these luxurious accessories in special conditions. COLMIA™ is dedicated for the private use as well as for personal trainers and gyms.

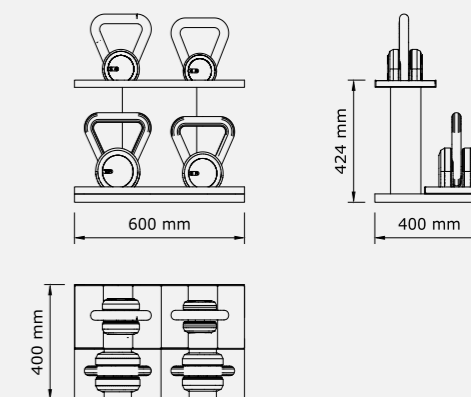
KETTLEBELLS Stand

Place your kettlebells on a solid wooden stand lined with genuine leather. Individual kettlebells are available in different weights (size depends on the weight)



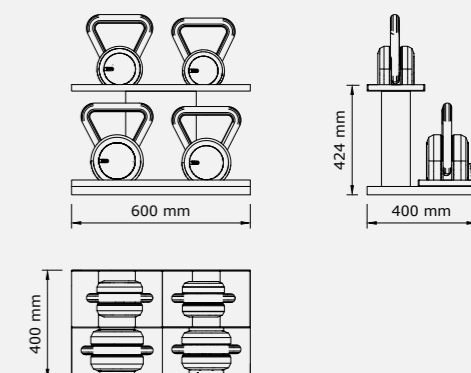
LOVA™ Light

A set consisting of a horizontal stand and kettlebells weighing: 4 kg | 6 kg | 8kg | 10 kg



LOVA™ Power

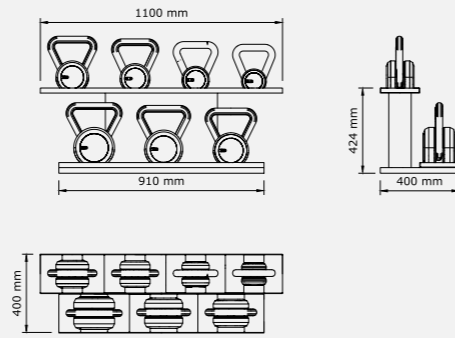
A set consisting of a horizontal stand and kettlebells weighing: 10 kg | 12 kg | 16kg | 20kg





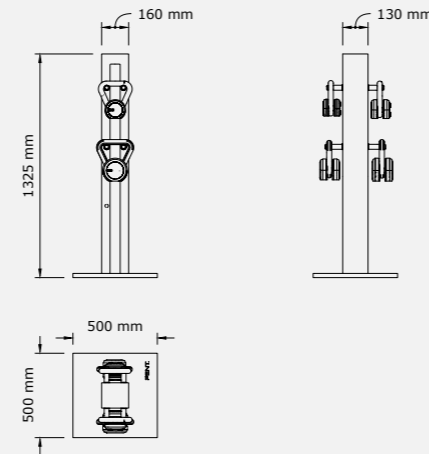
LOVA™ Set

A set consisting of a horizontal stand and kettlebells weighing: 4 kg | 6 kg | 8kg | 10 kg | 12 kg | 16 kg | 20kg



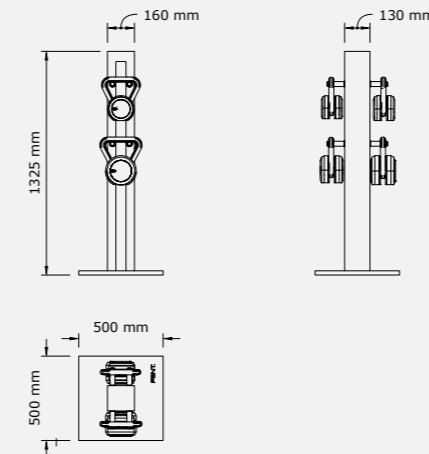
LOVA™ VERTICAL Light

A set consisting of a vertical stand and kettlebells weighing: 4 kg | 6 kg | 8kg | 10 kg



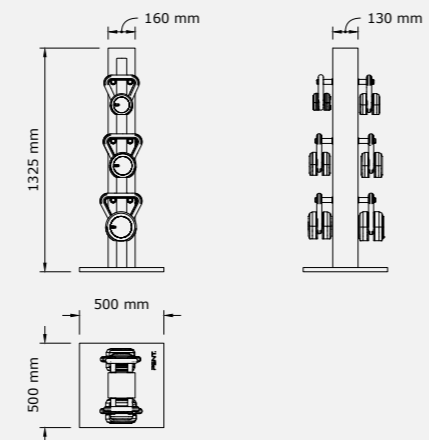
LOVA™ VERTICAL Power

A set consisting of a vertical stand and kettlebells weighing: 10 kg | 12 kg | 16kg | 20kg



LOVA™ VERTICAL Set

A set consisting of a vertical stand and kettlebells weighing: 4 kg | 8 kg | 10 kg | 12 kg | 16 kg | 20kg



ATTENTION TO EVERY DETAIL





MOXA™
BALLS

*Designed with special
attention to detail
and a strong focus on
quality workmanship.*



MOXA™ LUXURY BALLS

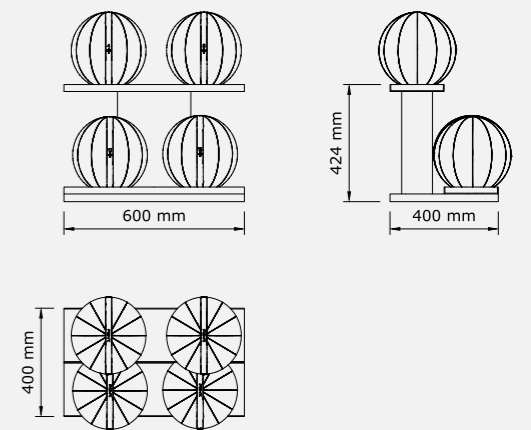
*Handmade from natural walnut wood, stainless steel and genuine leather.
Its excellent and prestigious design has a wide, practical application.
This product is our collection of a wonderful equipment for exceptional customers.*

Weighted balls are available in sets (horizontal or vertical) and as individual pieces.
Each ball has the same diameter- 25 cm.



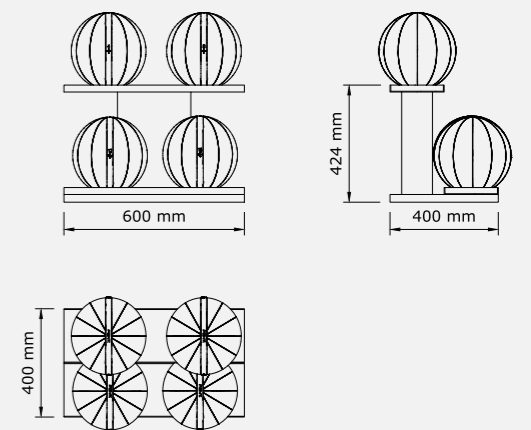
MOXA™Light

A set consisting of a horizontal rack and leather balls weighing:
4 kg | 8 kg | 12 kg | 16 kg



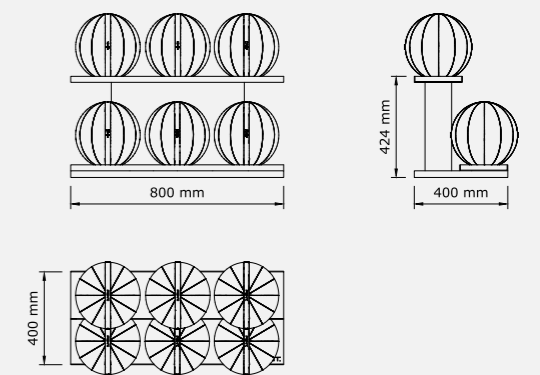
MOXA™ Power

A set consisting of a horizontal rack and leather balls weighing:
12 kg | 16 kg | 20 kg | 24 kg



MOXA™ Set

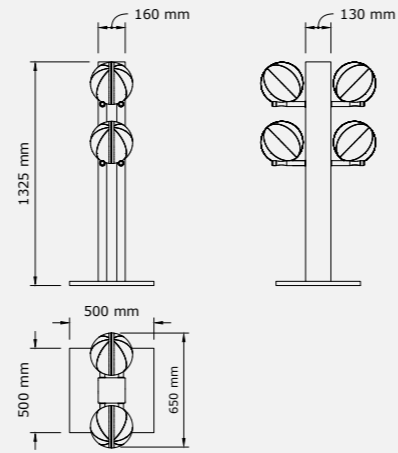
A set consisting of a horizontal rack and leather balls weighing:
4 kg | 8 kg | 12 kg |
16 kg | 20 kg | 24 kg





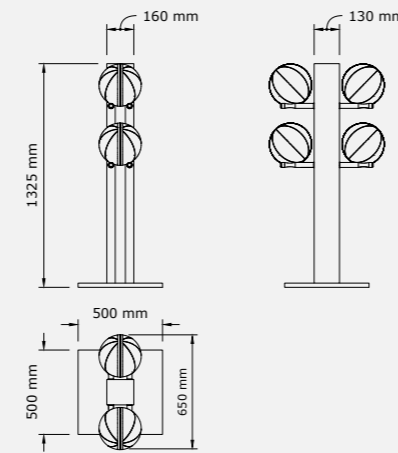
MOXA™ VERTICAL Light

A set consisting of a vertical
rack and leather balls
weighing:
4 kg | 8 kg |
12 kg | 16kg



MOXA™ VERTICAL Power

A set consisting of a vertical
rack and leather balls
weighing:
12 kg | 16 kg |
20 kg | 24 kg

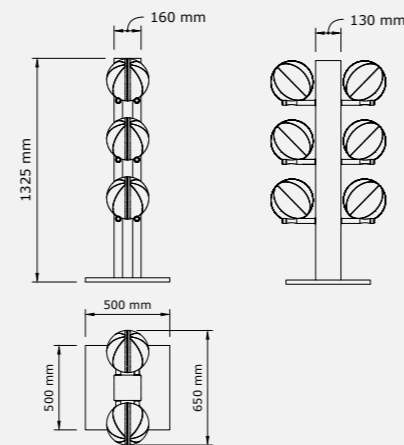


ATTENTION TO EVERY DETAIL



MOXA™ VERTICAL Set

A set consisting of
a vertical rack and
leather balls weighing:
4 kg | 8 kg | 12 kg |
16 kg | 20 kg | 24 kg





LESNA™

BARBELL SET

*A barbell set is one-of-a-kind
exercise equipment you can't do
without in any serious gym.*



LESNA™ LUXURY BARBELL SET

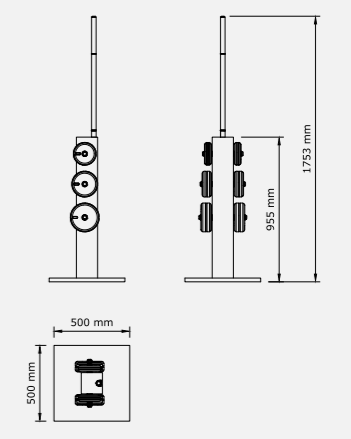
A handmade weight set with a bar made of the best luxury materials. The stylish and simple form of the stand is perfectly matched to the available weights. Both LESNA™ and BYSTRA™ perfectly complement our entire collection. As always, in all our products, it is entirely made of the best materials and with attention to every detail.

Hours of handmade work make the sets refined in every aspect, delighting everyone who has the opportunity to see it with their own eyes. They are ideal for a home or a hotel gym.



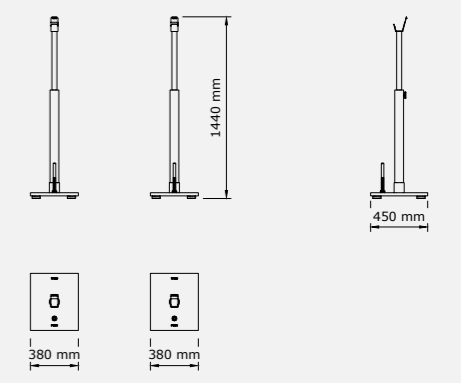
LESNA™

A set consisting of a stand, a barbell and weights:
4 kg x 2 | 8 kg x 2 | 12 kg x 2



BYSTRA™

Press Bench Rack can be purchased with or without the weights
4 kg x 2 | 8 kg x 2 | 12 kg x 2



ATTENTION TO EVERY DETAIL





BANKA™

LUXURY FITNESS BENCH

*You might have never seen
an exercise bench like this.*

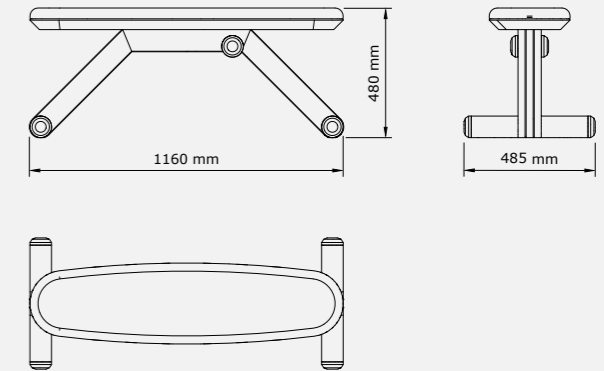


BANKA™ LUXURY FITNESS BENCH

Handmade from wood, stainless steel and natural leather. The best materials combined with the strong attention to detail make this simple exercise equipment breathtaking for anyone who is looking for a practical function with beauty and prestige for a home or a hotel gym.

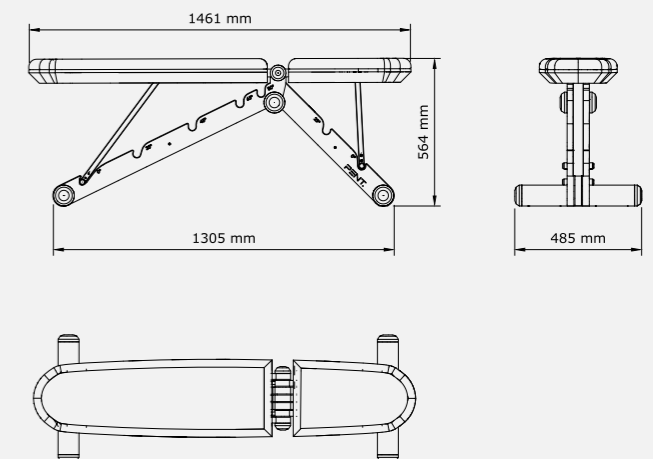
BANKA™ Basic

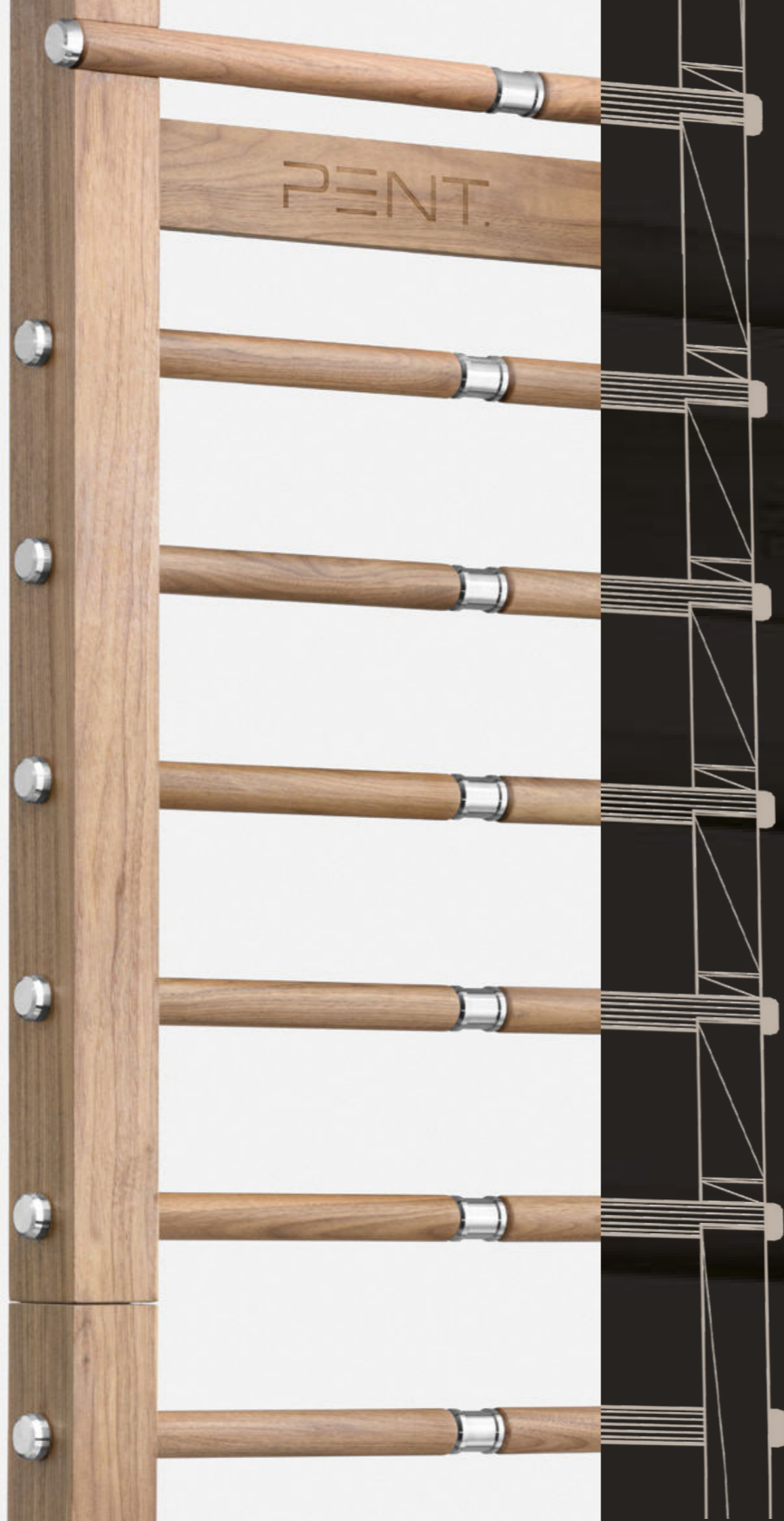
The stable and simple form of the exercise bench stands out with its quality and craftsmanship.



BANKA™ Advance

Wooden adjustable bench is constructed conscientiously to provide the comfort we expect, both fitting your body and weight lifting needs.





SCALA™
WALL BAR

*Power to make big things
happen in a home gym.*

SCALA™

LUXURY WALL BAR

The pattern of the ladder, referring to roots, contains a feature of weighted and removable rungs. After removing them we obtain a stylish so-called weighted „fitness bar” that is ultra soft to the touch.

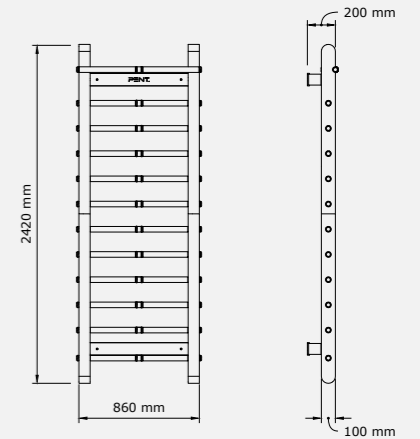
The available weights range from 2 - 6 kg. To make the wall-bar even more versatile, the ladder has flexible bands that can be easily attached to the bars and the ladder. Additionally, you can also attach TRX bands (not provided).



SCALA™ Basic

Luxury wall bar for exercise. The set includes a wall-mounted frame with rungs.

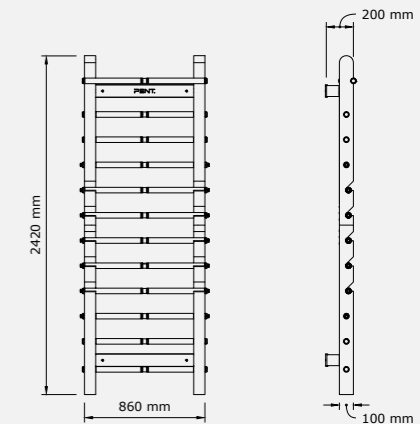
Height: 242 cm



SCALA™ Advance

The wall bar, in addition that its pattern refers to roots, contains a feature of removable rungs, each with a different weight.

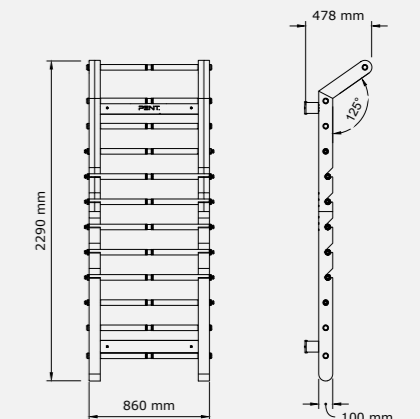
Height: 242 cm

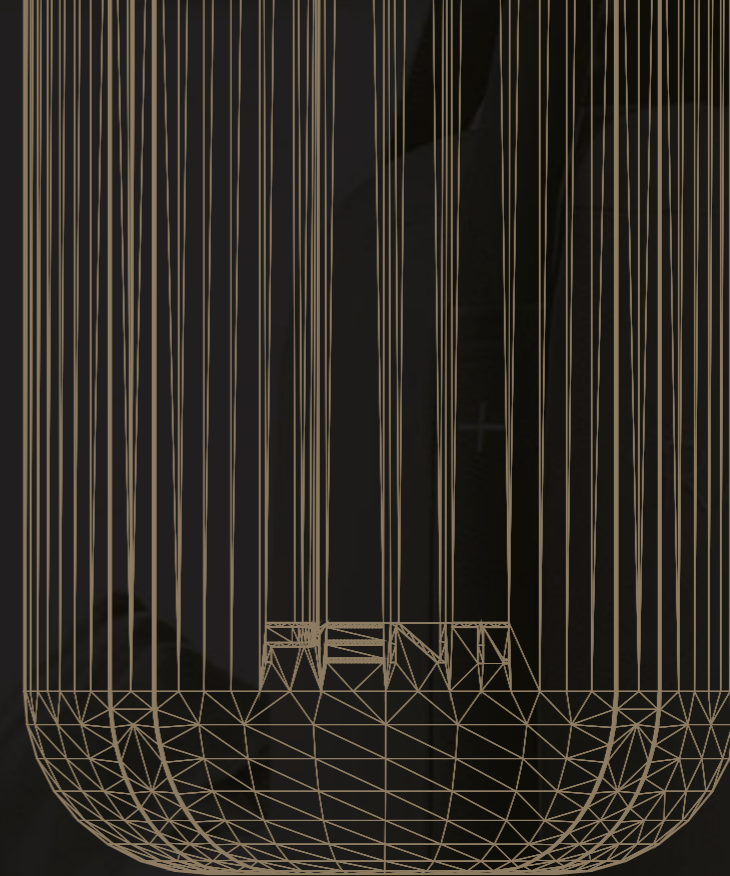


+ SCALA™ Advance

The wall bar, in addition that its pattern refers to roots, contains a feature of removable rungs, each with a different weight. With a pull-up option.

Height: 229 cm





RAXA™

BOXING BAGS

*Proven reliability in the most
extreme conditions in home,
residential or hotel gym.*



RAXA™ LUXURY BOXING BAGS

Add style to your gym with this amazing genuine leather bag. It's not only beautiful to look at, it sustains heavy beating too.

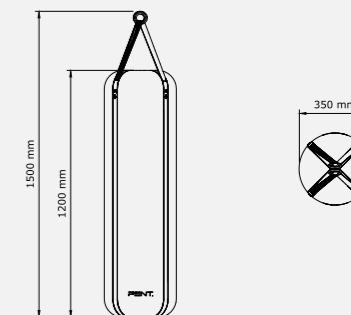
It is hand-made using finest materials by dedicated craftsmen in order to make an elegant, yet practical product.



RAXA™

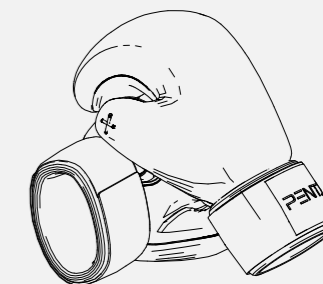
PENT. boxing bags have proven their reliability in the most extreme conditions in home, residential & hotel luxury gyms.

Weight: about 40 kg



Boxing gloves for RAXA™

Thanks to the modern genuine leather design, PENT. offers the perfect combination of quality and practicality. Full Hand Made process makes this item unique & premium.



ATTENTION TO EVERY DETAIL





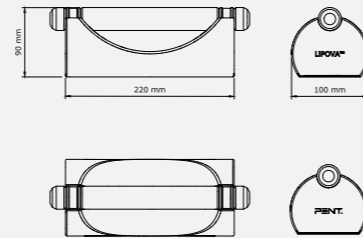
ACCESSORIES

Upgrade your fitness gear with PENT. Luxury fitness accessories.



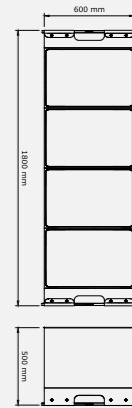
LIPOVA™

Push-ups are one of the basic weight training. LIPOVA™ luxury push-up bars are an excellent way to get the most out of this exercise.



MATA™ Large

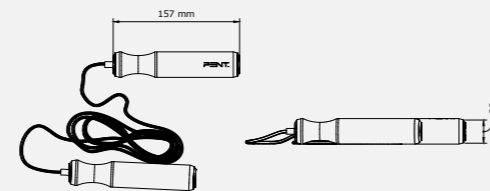
Luxury handmade leather fitness mat. It will help prevent pains in your back when you're lying down or doing cat stretches. Dimensions: 180 x 60 cm



SIENNA™

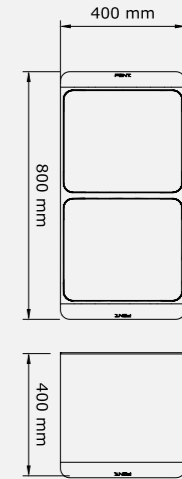
One of the most fundamental fitness accessories. Simple, yet necessary. Make your fitness goals on your own terms.

Length: 275 cm



MATA™ Small

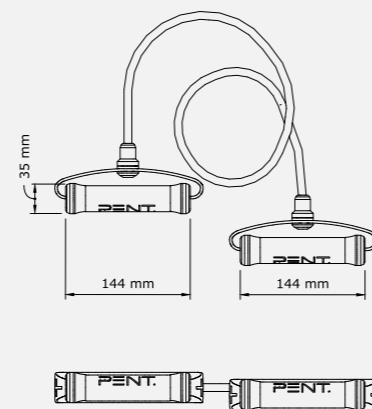
Protective leather mat, perfect for workout with dumbbells or push up bars. Dimensions: 80 x 40 cm



RESA™

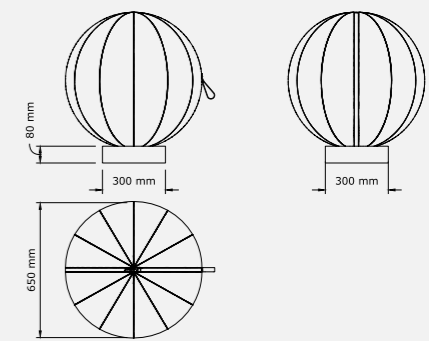
Luxury elastic band with versatile resistance and integrated wooden grips for the highest comfort of the user. It allows to carry out strength, endurance and general development training.

Length: 65 cm



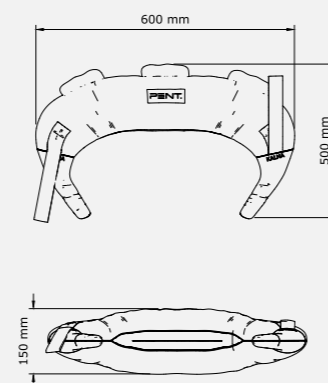
MESNA™

Exercise Sitting Ball is actually exercise equipment that can help strengthen muscles, increase balance and improve flexibility, coordination and posture. MESNA & Rest & Ball pump Diameter: 65 cm



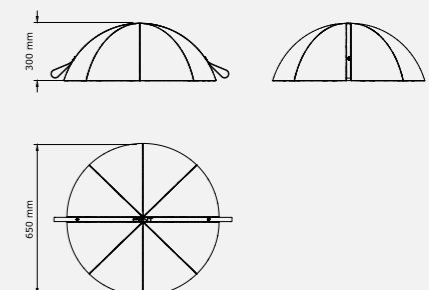
KALNA™

The bag, a.k.a the Bulgarian Bag, is made of genuine leather and has flexible handles to allow for both upper and lower body training. Filled with leather straps and sand, allows to improve your explosive actions and dynamic movements.



TRESNA™

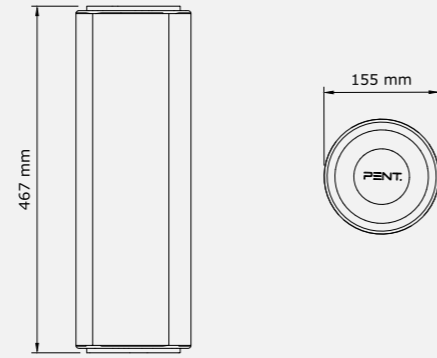
Luxury Balance Trainer covered with genuine leather is the perfect tool for the combined balance and strength training. Designed to develop flexibility, stability and core strength with challenging cardio workouts. Base diameter: 65 cm Height: 35 cm





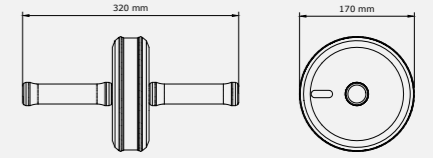
ROLA™

Luxury soft roller covered with genuine leather for self-myofascial release in which pressure is applied to certain body parts to relieve pain.
Length: 45 cm
Diameter: 15 cm



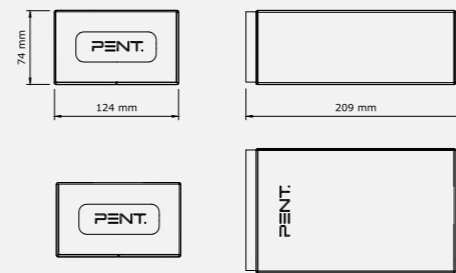
TWISTA™

New Product Available in PENT. collection . Ab Roller Wheel, Workout Equipment for Core & Abdominal Strength Training Wheel.



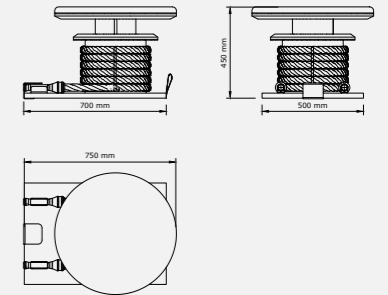
KOHA™

Luxury Yoga Block. Classic, natural wood construction, clad in natural leather gives you durability and security during workout.



LINA™

The LINA fitness rope is ideal for strength and endurance training. Finished in natural leather and wood, it provides optimal conditions for a comfortable workout.

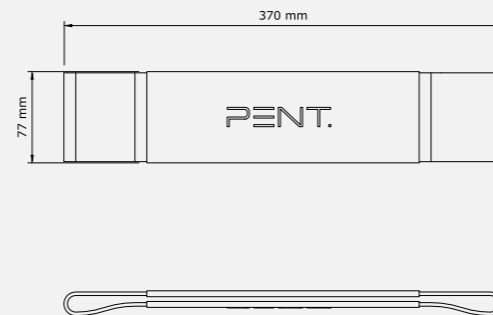


ATTENTION TO EVERY DETAIL



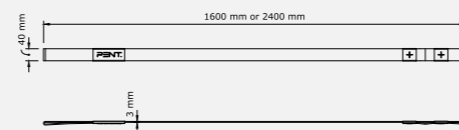
GUMA™

Flexible bands can be used for stretching, flexibility and mobility. They come in 3 different resistance levels (Light, Medium, Power) to train different muscle groups and allow for progression. Types of stretch: easy, medium, hard
Length: 75 cm



PASA™

The leather yoga belt facilitates or intensifies stretching exercises, provides more reach as an „extension” of the arms and allows you to stay in the stretched position longer.
Available length: 160 cm or 240 cm





MULTI SET

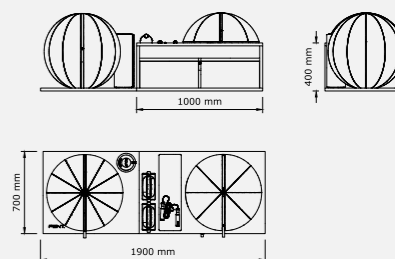
Complementary set of dumbbells, kettlebells, exercise mat and essential fitness accessories.



RACKA™

Beautiful rack with accessories.

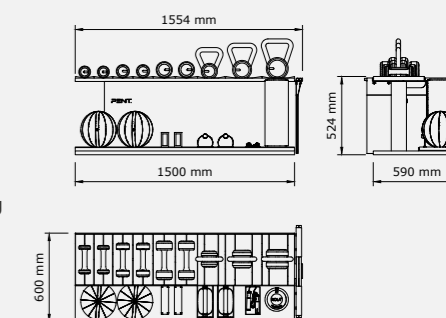
RACKA™ includes:
 TRESNA™ Balance Ball: 1 pc
 SIENNA™ Skipping Rope: 1 pc
 MATA™ Exercise Fitness Mat : 1 pc
 LIPOVA™ Push Up Bars: 1 pc
 ROLA™ Stretching Roller : 1 pc
 MESNA™ Exercise Sitting Ball : 1 pc



COMBO™ Ana

Created as a complete set for the most demanding people.

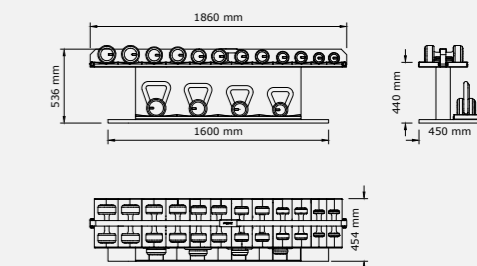
COMBO™ Ana includes:
 COLMIA™ Dumbbells (pairs): 4 kg / 6 kg / 8 kg
 LOVA™ Kettlebells: 4 kg / 6 kg / 8 kg
 MOXA™ Weighted Ball: 4 kg / 8 kg
 SIENNA™ Skipping Rope: 1 pc
 MATA™ Exercise Fitness Mat: 1 pc
 LIPOVA™ Push Up Bars: 1 set
 KOHA™ Yoga Block: 2 pcs
 ROLA™ Stretching Roller: 1 pc



OCEANIA™

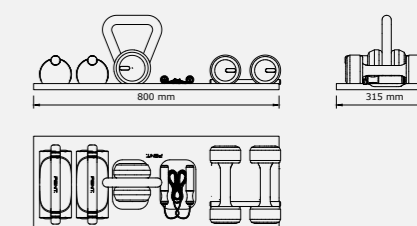
A complete set of dumbbells and kettlebells on a stand. Thanks to the fall protection, lockable from the top, the OCEANIA Set fits perfectly on the boards of yachts and luxury boats.

COLMIA™ Dumbbells (pairs): 2 kg / 4 kg / 6 kg / 8 kg / 10 kg / 12 kg
 LOVA™ Kettlebells: 4 kg / 6 kg / 8 kg / 10 kg



DEHA™

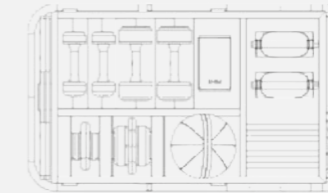
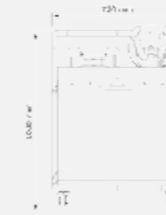
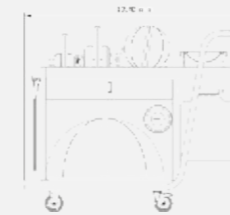
A practical "take-away" fitness set. COLMIA dumbbells (2-8kg), LOVA kettlebells (4-8kg), LIPOVA push-ups bars and SIENNA skipping rope will fit perfectly on a small wooden stand in specially carved forms. This is an excellent solution for hotels that want to offer their guests the opportunity to perform simple workouts right in the room.





SOPHIA™ Mobile Gym Kit

Created as a complete set for the most demanding people. Created by specialists for professionals and enthusiasts. Complementary set of dumbbells, kettlebells, exercise mat and essential fitness accessories. The ergonomic design includes drawers for smaller but extremely important accessories such as a jump rope or a push-up device.



- SOPHIA™ includes:
- COLMIA™ Dumbbells (pairs): 4 kg / 8 kg
 - LOVA™ Kettlebells: 4 kg / 8 kg
 - TRESNA™ Balance Ball: 1 pc
 - MOXA™ Weighted Ball: 1 pc 8kg
 - SIENNA™ Skipping Rope : 1 pc
 - MATA™ Exercise Fitness Mat: 1 pc
 - LIPOVA™ Push Up Bars: 2 pcs
 - KOHA™ Yoga Block: 1 pc
 - PASA™ Yoga Belt : 1 pc
 - ROLA™ Stretching Roller: 1 pc

ATTENTION TO EVERY DETAIL



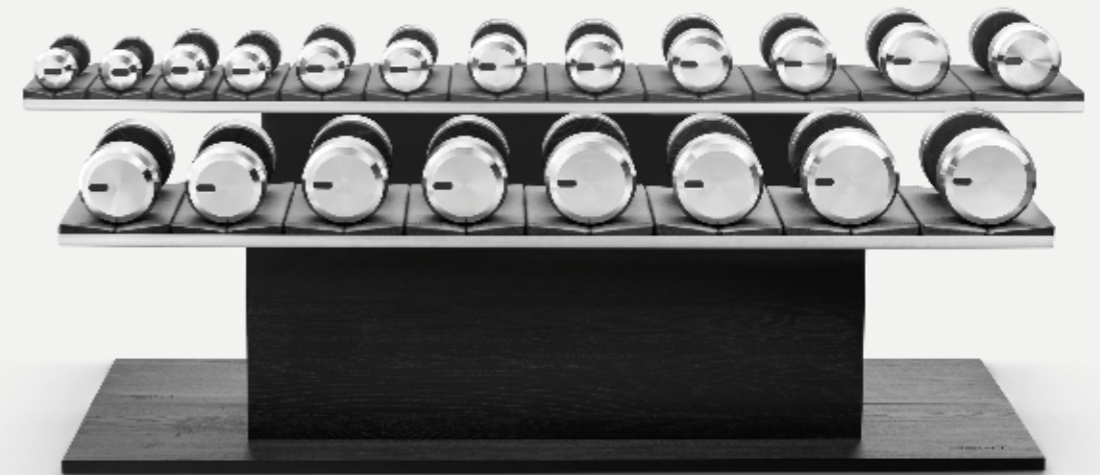
ATTENTION TO EVERY DETAIL



BLACK ASH COLLECTION

Ergonomic, sophisticated and timeless style, PENT. solution is an interpretation of timeless elegance. The combination of simple forms, curved lines and elegant proportions makes the set stand out so much that it cannot be said that it is just fitness equipment. The subtle play of light and shadow, smooth surfaces and the most precious materials will make the product impossible to ignore.

Made of the best stainless steel, black ash wood and natural leather & represents elegant styling combined with innovative design.





Tailored to your need

OUR LUXURY FITNESS EQUIPMENT IS DESIGNED FOR THOSE WHO DEMAND A WORKOUT EXPERIENCE LIKE NO OTHER. WHETHER YOU'RE SEEKING HANDCRAFTED DUMBBELLS, EXQUISITE BENCHES, OR OTHER FITNESS ACCESSORIES, OUR COLLECTION OFFERS A RANGE OF OPTIONS TO MEET YOUR NEEDS.



PENT.
The highest quality
of materials.

HAND MADE PRODUCTS CREATED FOR INDIVIDUAL ORDERS, AND DELIVERED TO CUSTOMERS AROUND THE WORLD. EVERY PIECE OF PENT. COLLECTION CAN BE CUSTOMIZED ACCORDING TO YOUR NEEDS. YOU CAN CHANGE THE LEATHER COLOR AND SELECT THE TYPE OF WOOD. THE CUSTOM PIECE WILL BE MANUFACTURED ACCORDINGLY.

EVERY PIECE OF PENT IS MADE-TO-ORDER FROM START TO FINISH BY OUR QUALIFIED CRAFTSMAN. PERSONALIZED ITEMS ARE MADE IN LIMITED QUANTITIES FROM DURABLE FABRICS, MAKING EACH ITEM EXCEPTIONAL

W O O D



NATURAL
ASH



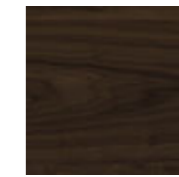
NATURAL
OAK



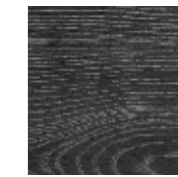
NATURAL
WALNUT



ASH
WALNUT



DARK
WALNUT



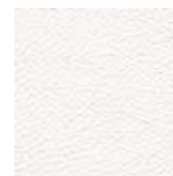
BLACK
ASH

M E T A L

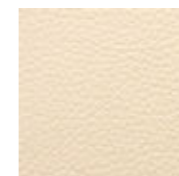


STAINLESS
STEEL

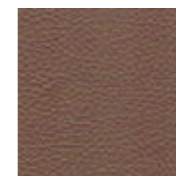
G E N U I N E L E A T H E R



WHITE



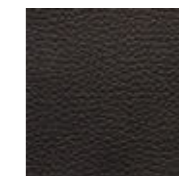
BEIGE



BROWN



GREY



BLACK



SAMPLE BOX

You will be able to touch all materials and choose the best for you. Thanks to the Sample Box you will be able to make a decision on the best color version of your project.

T A K E N O T E S



We manufacture and design in Poland.
We work for customers globally.

PENT.
LUXURY FITNESS EQUIPMENT

PENT. Luxury Fitness Equipment
Ul. Wędrowców 112
43-300 Bielsko-Biała

T: +48 33 810 50 63 / +48 605 959 444
info@pentfitness.com / www.pentfitness.com
info@atepaa.com / www.atepaa.com